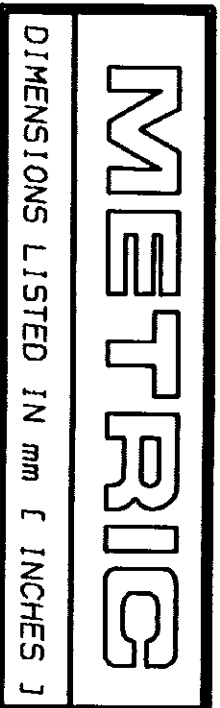


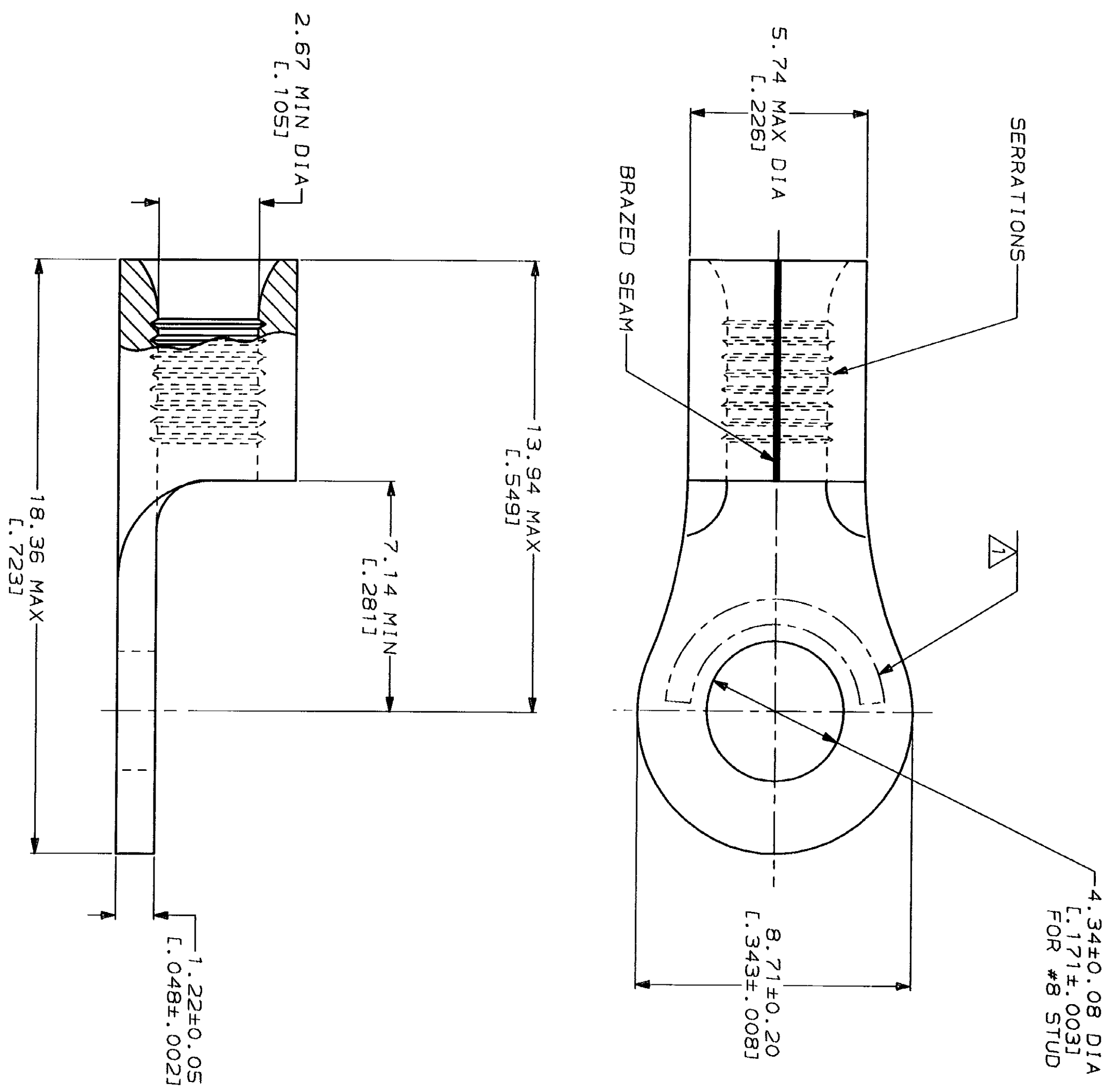
LOC	DIST	P	F	ZONE	LTR	DESCRIPTION	DATE	APPD
G	14					REV & REDRAWN PER 0720-0040-93	3-17-93	GLDAP

REV	DESCRIPTION	DATE
1	REV & REDRAWN PER 0720-0040-93	3-17-93



AMP WIRE RANGE	UL E13288 Listed
16-14HD AWG SOLID OR STRANDED	16-14HD AWG STRANDED
LR7189 Certified	MILITARY P/N AND CLASS
16-14HD AWG SOLID OR STRANDED	NOT APPLICABLE

△ STAMP AMP 16-14HD* APPROX AS SHOWN



AMP INCORPORATED
CUSTOMER SERVICE SYSTEMS

FOR ADDITIONAL PRODUCT INFORMATION OR COPIES OF DRAWINGS AND TECHNICAL DOCUMENTS	PRODUCT INFORMATION CENTER 1-800-522-6752
FOR APPLICATION TOOLING INFORMATION	TOOLING ASSISTANCE CENTER 1-800-722-1111
FOR ORDER ENTRY	1-800-526-5142

MAX RECOMMENDED OPERATING TEMPERATURE:	170°C MAX
VOLTAGE RATING:	NOT APPLICABLE
WIRE CROSS SECTIONAL AREA RANGE: SOLID OR STRANDED	1.04-2.62mm ² [2,050-5,180] CIR MILS

DO NOT SCALE PRINT.
 UNLESS SPECIFIED
 DIMENSIONS IN mm [INCHES]
 TOLERANCES ON:
 2 PLC DEC # -
 3 PLC DEC # -
 ANGLES # -
 MATERIAL
 COPPER PER
 ASTM B-152
 ANNEALED

DR 3-17-93 GL KRUPER	CHK 3-17-93 DA PATTERSON
APPD 3-17-93 DE MILLER	APPD 3-17-93 JL MECKLEY
PRODUCT SPEC	

FINISH TIN PLATE	DR 3-17-93 GL KRUPER
0.00254 [L.000100] MIN THK PER MIL-T-10727	CHK 3-17-93 DA PATTERSON
APPLICATION SPEC	APPD 3-17-93 DE MILLER
WEIGHT	APPD 3-17-93 JL MECKLEY
SCALE 8:1	PRODUCT SPEC

AMP
 AMP Incorporated
 Harrisburg, PA 17105-3608

TERMINAL, RING TONGUE,
 HEAVY DUTY, SOLISTRAND™

PART NO
 35432